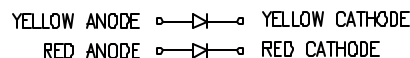
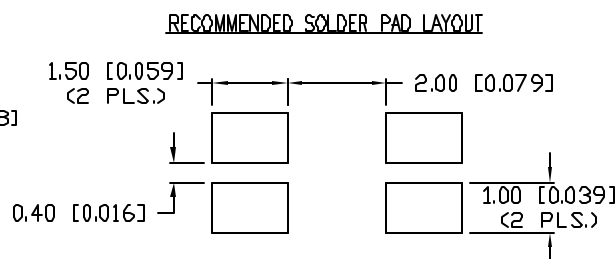
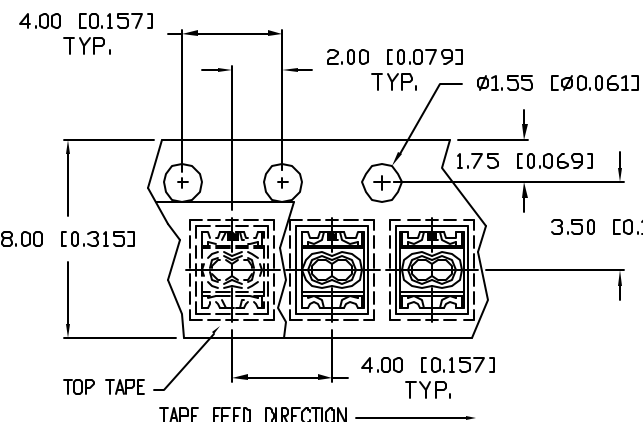
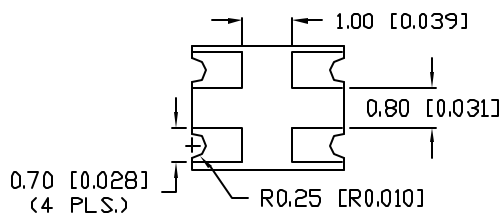
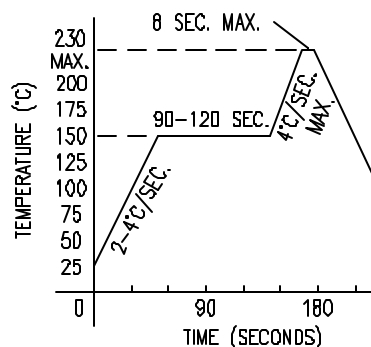


TOP VIEW POLARITY



REFLOW PROFILE



ELECTRO-OPTICAL CHARACTERISTICS  $T_A=25^\circ\text{C}$   $I_f=20\text{mA}$

| PARAMETER             | MIN         | TYP          | MAX     | UNITS    | TEST COND            |
|-----------------------|-------------|--------------|---------|----------|----------------------|
| PEAK WAVELENGTH       |             | 660 (RED)    |         | nm       |                      |
|                       |             | 585 (YELLOW) |         | nm       |                      |
| FORWARD VOLTAGE (R/Y) |             | 1.7/2.1      | 2.2/2.5 | $V_f$    |                      |
| REVERSE VOLTAGE       | 5.0         |              |         | $V_r$    | $I_f=100\mu\text{A}$ |
| AXIAL INTENSITY (R/Y) |             | 50/10        |         | mcd      | $I_f=20\text{mA}$    |
| VIEWING ANGLE         |             | 60           |         | 2x theta |                      |
| EMITTED COLOR:        | RED/YELLOW  |              |         |          |                      |
| EPOXY LENS FINISH:    | WATER CLEAR |              |         |          |                      |

LIMITS OF SAFE OPERATION AT 25°C

| PARAMETER             | COLORS | MAX        | UNITS |
|-----------------------|--------|------------|-------|
| PEAK FORWARD CURRENT* |        | 160        | mA    |
| STEADY CURRENT        |        | 25         | mA    |
| POWER DISSIPATION     | (R/Y)  | 60/100     | mW    |
| DERATE FROM 25°C      |        | -1.0       | mW/°C |
| OPERATING TEMP.       |        | -40 TO +85 | °C    |
| STORAGE TEMP.         |        | -40 TO +85 | °C    |

\*  $t < 10\mu\text{s}$

NOTES:

- THE POLARITY MARK IS ORIENTED TOWARDS THE TAPE SPROCKET HOLE.

CAUTION: MOISTURE SENSITIVE DEVICE  
PER JEDEC LEVEL 4 STANDARDS

\*UNLESS OTHERWISE SPECIFIED TOLERANCES PER DECIMAL PRECISION ARE: X=±1 (±0.038), XX=±0.5 (±0.020), XXX=±0.25 (±0.010), XXXX=±0.127 (±0.005). LEAD SIZE=±0.05 (±0.002), LEAD LENGTH=±0.75 (±0.030), MIN=+DECIMAL PRECISION MAX.=+0.00 -DECIMAL PRECISION

REV.

PART NUMBER

SML-LXL1210SRYCTR

CONFIDENTIAL INFORMATION

THE INFORMATION CONTAINED IN THIS DOCUMENT IS THE PROPERTY OF LUMEX INC. EXCEPT AS SPECIFICALLY AUTHORIZED IN WRITING BY LUMEX INC, THE HOLDER OF THIS DOCUMENT SHALL KEEP ALL INFORMATION CONTAINED HEREIN CONFIDENTIAL AND SHALL PROTECT SAME IN WHOLE OR IN PART FROM DISCLOSURE AND DISSEMINATION TO ALL THIRD PARTIES.

RELIABILITY NOTE

OUR MANY YEARS OF EXPERIENCE DATA ACCUMULATION INDICATE THAT SOLDER HEAT IS A MAJOR CAUSE OF EARLY AND FUTURE FAILURE. PLEASE PAY ATTENTION TO YOUR SOLDERING PROCESS.



290 E. HELEN ROAD  
PALATINE, IL 60067-6976  
PHONE: +1.847.359.2790  
US WEB: www.lumex.com  
TW WEB: www.lumex.com.tw

2.7mm x 3.0mm PCB, SURFACE MOUNT LED,  
SUPER RED/YELLOW CHIPS,  
WATER CLEAR LENS, TAPE AND REEL

DRAWN BY: JD CHECKED BY: APPROVED BY: DATE: 9.16.04  
PAGE: 1 OF 1  
SCALE: N/A